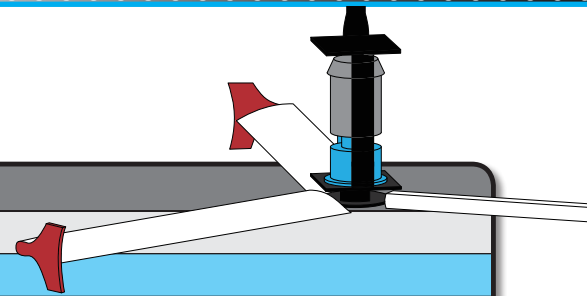


ST3 SERIES 12' (3.6M) HVLS FAN



Technical Specifications	
Model	ST3-1236
Diameter	12 FT / 3.6 Meters
Number of Airfoils	3 STOL Airfoils
Airfoil Finish	Clear Anodized Aluminum
Frame & Mounting Finish	1/4" Black Powder Coated Steel
Wingtip	3 Standard SBF Wingtips (Red)
Installed Weight	180 lbs. (82 kg)
Maximum Speed	103 RPM
Air Displacement	48,636 CFM / 1,377 CMM
Available Input Power	115 VAC (99-126 VAC) 19A Peak @ 48-62 Hz 1 Phase
	240 VAC (198-264 VAC) 7.9A Peak @ 48-62 Hz 1 Phase
	240 VAC (198-264 VAC) 8.2A Peak @ 48-62 Hz 3 Phase
	480 VAC (342-528 VAC) 4.2A Peak @ 48-62 Hz 3 Phase
	575 VAC (450-660 VAC) 2.7A Peak @ 48-62 Hz 3 Phase
Reducer	Premium Viton double lip output seals, lifetime synthetic oil, robust 1" dia. output shaft, lubed for life, painted SB Blue
Nominal Motor Horsepower	1 HP (0.75 kw)
Motor RPM	1725 RPM
Speed Controller Options	UltraLite, Yoke, VLD, Touch N Go, AutoPilot, Radar
Controller Connection	10V DC Analog
VFD Enclosure	NEMA1, IP 10 metal enclosure with hinged door. NEMA 4x, IP 66 available
VFD Motor Supply Cable	15 feet / 4.57 Meters
Safety Components	Airfoil Boomerang Brackets (3), Guy Wires (4), Safety Cable (1), Safety Z Brackets (6)
Disconnect Switch	25A lockable
dBA at Max. RPM	< 45 dBA*
Recommended Airfoil Clearance	Horizontal from Wingtips: 22" (0.55 Meters)
	Vertical from Mounting Point: 60" (1.5 Meters)
Extension Bar	1' standard, available in 1' increments up to 10'
Motor Pallet Dimensions/Weight	30.5"x33"x30.5" (0.77 x 0.83 x 0.77 Meters) / 228 lbs (104 kg)
Airfoil Pallet Dimensions/Weight	24"x8'x17" (0.60 x 2.44 x 0.43 Meters) / 65 lbs (30 kg)
Certification	ANSI/UL 507
	CAN/CSA C22.2 No. 113-10
	C-Tick
	CE

*dBA values were obtained from sound testing at maximum speed in a controlled environment. Actual results may vary.



SKYBLADE® and **SKYBLADE FANS®** are the trademarks of Skyblade Fan Company.

24501 Hoover Road, Warren, MI 48089 USA
 Telephone: 1.586.806.5107; Fax: 1.586.806.5109
 E-Mail: sales@skybladefans.com

ST3 SPECIFICATIONS

APPROVALS

- ETL
- CE
- C-Tick

AIRFOILS

- Equipped with 3 airfoils
- Extruded anodized aluminum
- High performance STOL design

GEARBOX

- Precision finished gears for low noise & long service life
- Sealed with lifetime synthetic oil
- Robust 3" output shaft for strength
- Nylon bushing on input

CONSTRUCTION

- Mounting is to be 1/4" powder coated steel
- All construction is to be protected from the elements
- Stainless steel safety brackets

VFD

- NEMA1, IP 10 metal enclosure with hinged door. (NEMA 4x, IP 66 available)
- Factory assembled & programmed
- Minimum start/stop torque loads

WINGTIP FENCE

- Equipped with 3 wingtip fences
- Constructed of nylon 66
- Redirect outward airflow into downward airflow

MOTOR

- Totally enclosed, fan cooled (TEFC)
- IP55 rating
- Class F insulation
- 1.0HP (0.75 kW) nominal horsepower

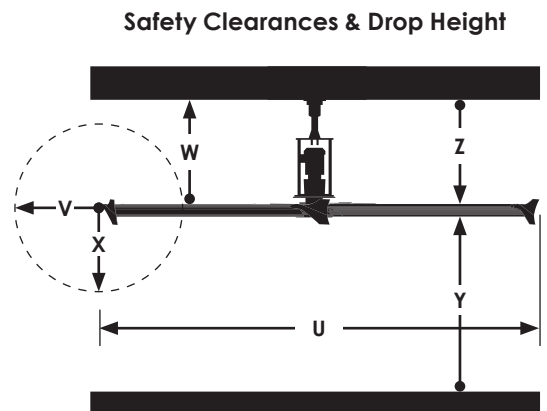
STANDARD LIMITED WARRANTY

- 3 year: Motor & Reducer
- 1 year: Electronics
- Lifetime: Airfoil
- Extended warranties available.

ST3 SERIES SAFETY CLEARANCES & DROP HEIGHT¹

MODEL #	DIAMETER [U]	SIDE [V]	ABOVE [W]	BELOW [X]	MIN. AIRFOIL HEIGHT [Y]	AIRFOIL DROP HEIGHT [Z]
ST3-1236	12 Ft (3.6 m)	22	39	22"	10'	44"

¹ All dimensions are based on a standard 1 ft. extension bar.



ST3 SERIES MAX EFFECTIVE DIAMETER

DISTANCE FROM CENTER	AIR VELOCITY ²	COOLING SENSATION ²
[A] 0' - 20' (0-6.1m)	620 - 900 fpm 3 - 4.5 m/s	14 - 15°F 8 - 10°C
[B] 21' - 40' (6.2-12.2m)	340 - 620 fpm 1.7 - 3 m/s	9 - 15°F 5 - 8°C
[C] 41' - 70' (12.3-18.3m)	0 - 340 fpm 0 - 1.7 m/s	0 - 9°F 0 - 5°C

² Stated values are estimations based on standard installation at maximum power. Values such as building layout, obstructions, ceiling height, and drop ceiling height may effect these numbers.

