



SkyBlade

FAN COMPANY

WHERE FORM FOLLOWS FUNCTION

Three Fan Controller

KEY FEATURES

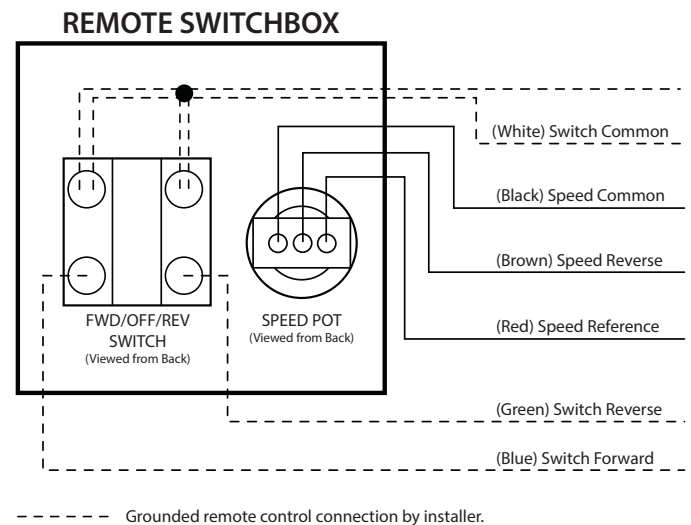
- Easily mounted to wall.
- Control each fan individually.
- SkyBlade supplies you with 100 ft. of 6-core cable for installation.
- Operate your fans in either forward (cooling) or reverse (destratification).
- Manually control each fan's speed.



TECHNICAL SPECIFICATIONS

Three Fan Controller Specifications	
Potentiometer	0-10V DC analog. 1000 ohm resistance. 0.5W power consumption. IP66 protection.
Connections	Three (3) 100 ft. of 6-core shielded wire supplied by SkyBlade. Three (3) strain relief bushings supplied by SkyBlade.
3-Position Switch	Forward-Off-Reverse capability
Enclosure	Nema Type 12. Steel Enclosure Gray Polyester Powder Finish. Dimensions: 8.50"Hx5.00Wx4.25"D.

WIRING DIAGRAM



SkyBlade

FAN COMPANY

WHERE FORM FOLLOWS FUNCTION



Intertek



24501 Hoover Road
Warren, MI 48089 USA
T: 586.806.5107
sales@skybladefans.com