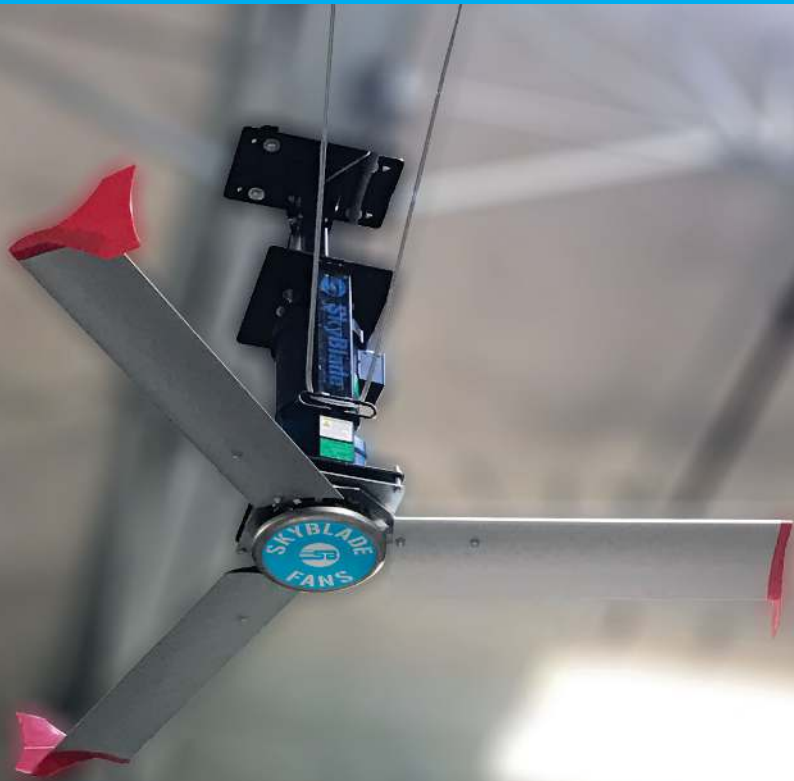


ST3 SERIES

SkyBlade

FAN COMPANY

WHERE FORM FOLLOWS FUNCTION



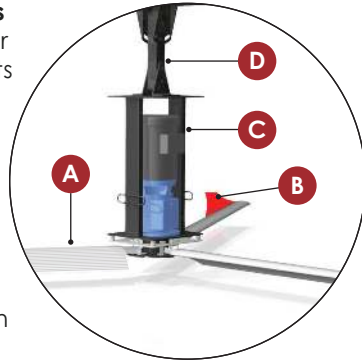
ST3 6'-14' (1.8m-4.3m) DIAMETER HVLS FANS

HIGH VOLUME LOW SPEED TECHNOLOGY

ST3 SERIES

STANDARD FEATURES

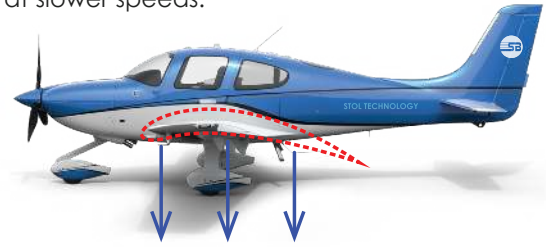
- A Custom-Engineered Airfoils**
Contoured for maximum air movement, so environments become cooler faster.
- B Wingtips**
Improve airflow & direct airflow downwards.
- C Environmentally Durable Chassis**
Resists rusting and corrosion even in cold and damp environments.
- D Extension Bar**
Up to 1' to 10' (0.3m to 3.0m) lengths available to suit site layout and requirements.
- E Optional: Touchscreen Controller ‡**
Uses intelligent touch technology to control two or more HVLS fans.



Single phase available. 115V or 230V with both 50Hz. and 60Hz.
Three phase available. 230V, 460V or 575V with both 50Hz. and 60Hz.

‡ Not Illustrated in photo.

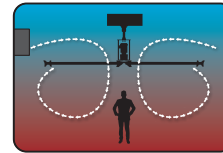
SKYBLADE airfoils are engineered with **STOL TECHNOLOGY** (Short Take Off & Landing) to obtain the greatest amount of lift at slower speeds.



The more lift the airfoil can generate, the greater amount of air which can be displaced towards the floor.

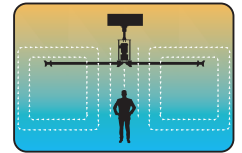
Due to an increase of lift created by the airfoil, **SKYBLADE FANS** can operate at lower speeds with less power consumption and produce a higher distribution of airflow than other styles of airfoils.

DESTRATIFICATION



Reduce energy costs up to 30% by minimizing the temperature differential from the ceiling to the floor.

COOLING



Create constant airflow to reduce perceived temperatures by 15°F.

THREE-BLADE COMFORT SOLUTION

- Available diameters of 6' to 14' (1.8m to 4.3m)
- Innovative STOL inspired blade design moves more air with less energy
- Three airfoil system increases air velocity in summer and destratifies hot air pockets in winter
- Compliments existing HVAC systems by allowing decreased run times
- Reduces condensation & helps to prevent corrosion & mold from forming
- Quiet operation

LOW ON COST, HIGH ON PERFORMANCE

- Costs pennies an hour to operate
- Reduction of heating & cooling costs by up to 30%
- Lower perceived temperatures up to 15°F
- Increases employee comfort and productivity
- Controller options from single fan to complete building integration

APPLICATIONS

- Warehouses
- Manufacturing
- Fitness Centers
- Loading Docks
- Agriculture
- Retail
- Sporting & Athletic
- Distribution Centers
- Automotive
- Show Rooms
- Loading Docks
- Aviation
- Auditoriums
- Pavilions
- Breweries
- and more!



HURL NU-WAY
14 Aristoc Road
Glen Waverley Vic 3150 AUS

Telephone: 1300 556 380
E-Mail: sales@hnw.com.au
Website: hnw.com.au | skybladefans.com.au



Concurrent with our continuing product improvement program, specifications are subject to change without notice. Please contact factory for latest information. Some features illustrated may be optional in certain market areas.